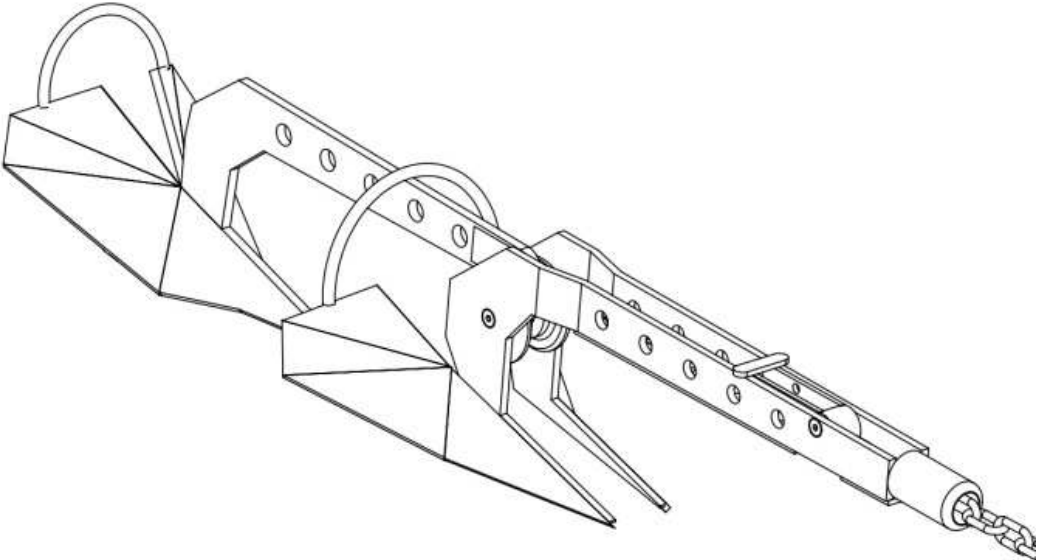


Installation manual

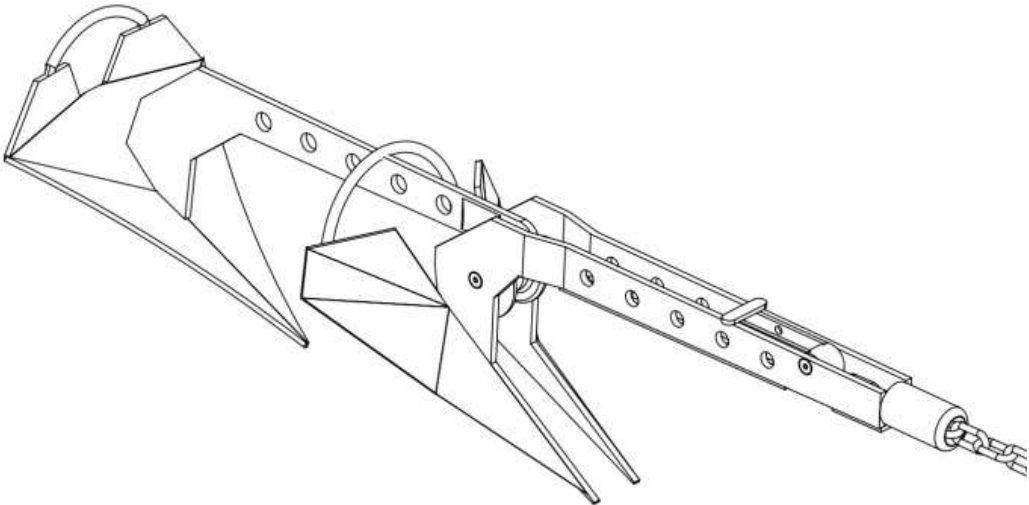
for the Wemar tandem anchor system

Models Classic, CXG and CXS series



and

Extra, EXG and EXS series



Dear Customer,

We thank you for purchasing your Wemar tandem anchor system. Wemar anchors are made of top quality materials according to the latest technology and quality guidelines. Each product is carefully inspected by hand.

! Please carefully read this manual entirely before installing your Wemar tandem anchor system – it contains important safety information. If you need any further information, please consult your dealer or manufacturer.
Disregarding these instructions could result in property damage and, in extreme cases, even threaten your personal safety.

Safety warning

Install the Wemar tandem anchor system onto your boat in calm weather, preferably while moored in the marina or on land. Be careful not to drop any components or tools into the water. Anchors are heavy: please handle them with care and caution. Two persons should participate during installation, whenever possible. When placing anchors on the deck, make sure they are padded with several layers of strong material.

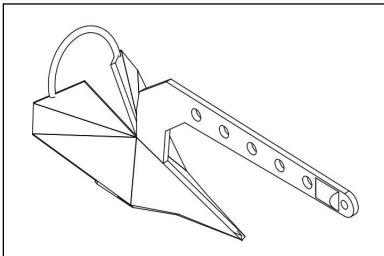
Removal of existing anchor

First, release enough chain to drop existing anchor to the ground when on land or to pull it up on the boat. Loosen the shackle that connects the existing anchor and chain. If it is not possible to loosen the shackle, cut it with a hacksaw. Remove the old anchor and shackle from the deck.

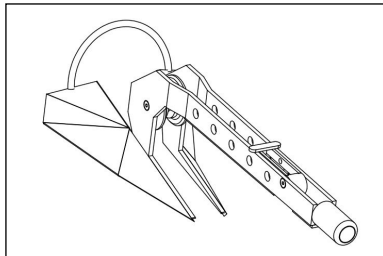
System components of Wemar tandem anchor

The Wemar tandem anchor system consists of three elements:

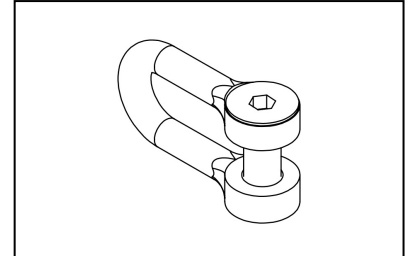
Smaller, tandem anchor



Heavier, main anchor



Connection shackle

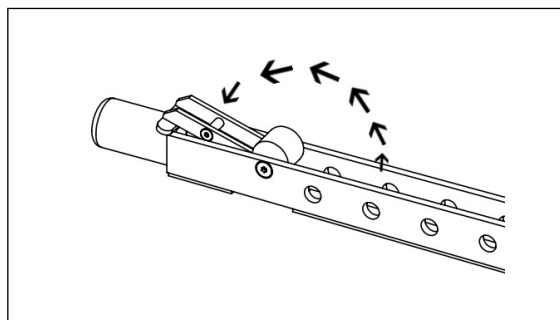


Preparation

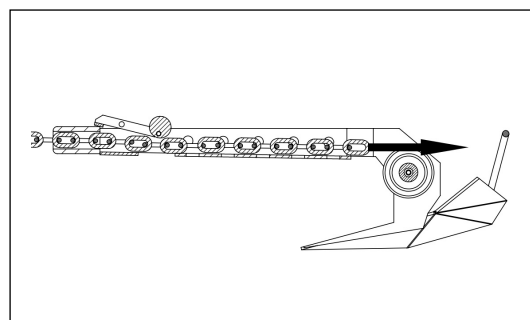
First, remove the packaging. Cut and remove the plastic binders. Pull the tandem anchor out of the main anchor. Loosen the screw on shackle, which is attached to the tandem anchor. Remove the shackle. Place the anchors in line, the main one after the tandem one.

Attachment of the system to the anchor chain

Open the lever on the main anchor

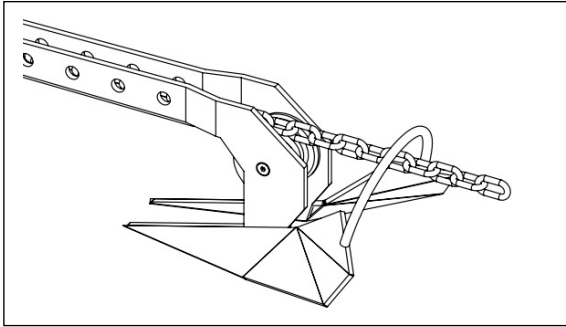


Pull the chain through the main anchor

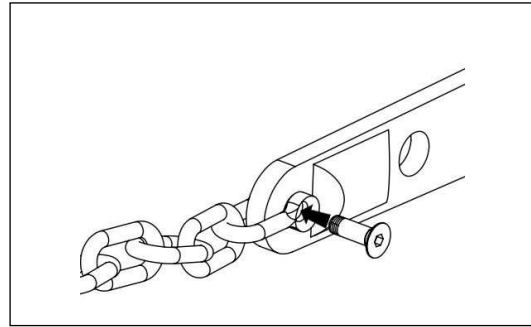


Attachment of the system to the anchor chain (continued)

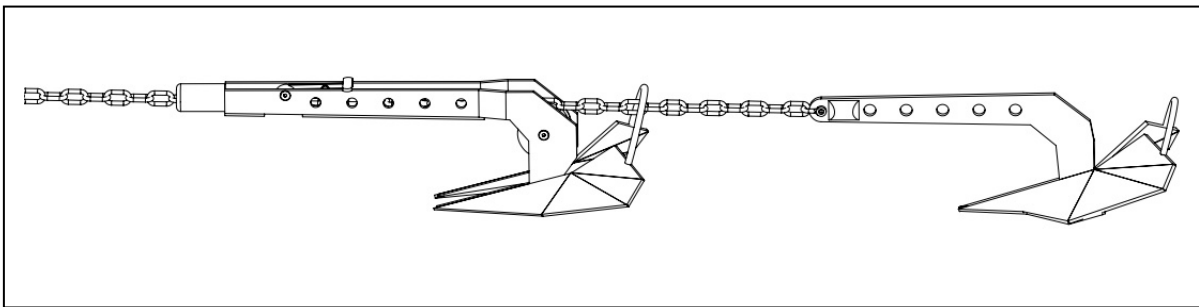
Pull the chain through the arch



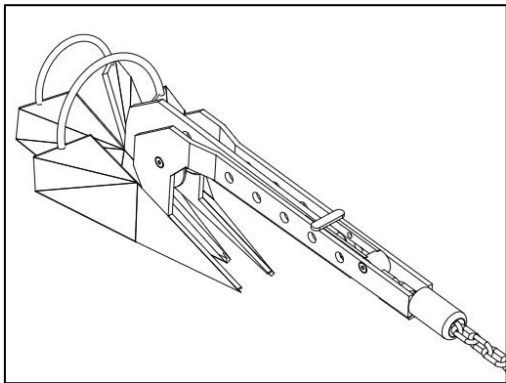
Attach the tandem anchor to the chain



The assembled system should look like this:



The first installation on the deck



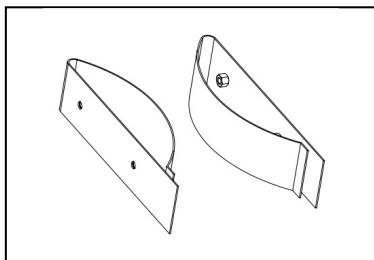
- Pull the tandem anchor through the main anchor.
- Close the lever on the main anchor.
- If on deck, slowly release the system from the boat.
- Lift the system on deck with anchor windlass.

! When lifting, carefully make certain that there is enough room for the tandem system. The system should run smoothly and should not jam anywhere.

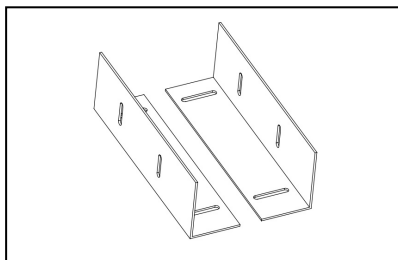
Installation kit contents

Installation kit contains the following items:

A pair of D band springs



A pair of L profiles



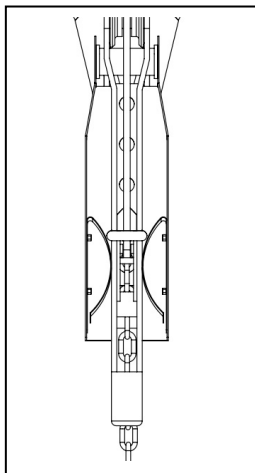
Miscellaneous

- 4 bolts
- Cobalt drill bit
- Hex key
- Screw adhesive fluid
- This manual

Installation of restraining D springs

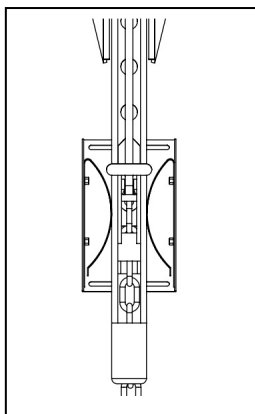
Restraining D springs keep the main anchor on deck when we release tandem anchor. They must properly compress the main anchor to remain on deck while we release the chain. It must not be compressed too much, in order for it to be released smoothly later. Restraining springs are not necessary when the alignment of bow roller is not designed for anchor self-launching.

Option a.) Long bow roller



- Insert the springs in the gaps between anchor and bow roller.
- Align the springs with the anchor neck.
- Mark the position of screws on the bow roller.
- Remove the anchor.
- Drill holes in the bow roller.
- Use the supplied screws to attach the springs to the bow roller.
- Check the operation.
- If the springs work properly, loosen the screws.
- Grease them with screw adhesive fluid and re-tighten.

Option b.) Short bow roller



- Screw the L profiles on the deck where appropriate.
- Insert the springs in the gaps between anchor and L profiles.
- Align the springs with the anchor neck.
- Use the supplied screws to attach the springs to the L profiles.
- Check the operation.
- If the springs work properly, loosen the screws.
- Grease them with screw adhesive fluid and re-tighten.

Conclusion

Test out your new system well. If all runs smoothly, unscrew and remove the connection shackle from the tandem anchor. Grease the screw with screw adhesive fluid and re-tighten.



Manufacturer:

WEBER MARINE d.o.o.
Iška 12b, SI-1292 Ig, Slovenia
E-mail: info@wemar.com
www.wemar.com